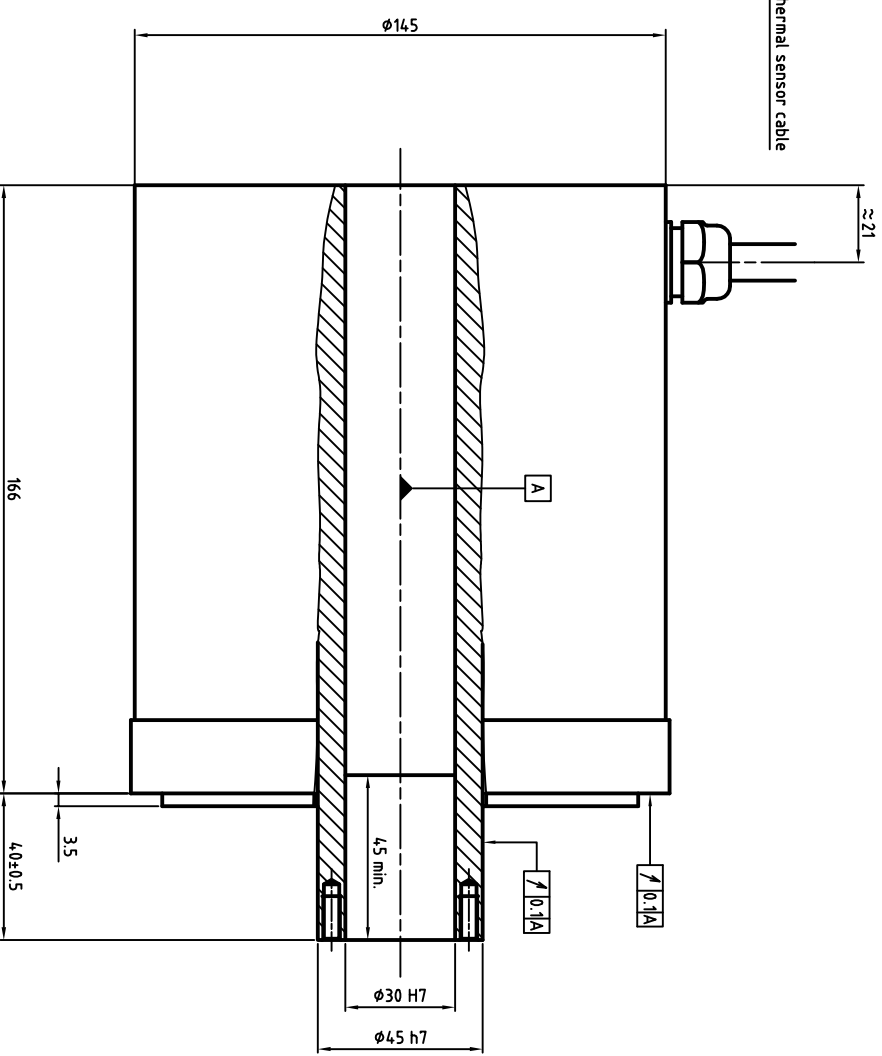
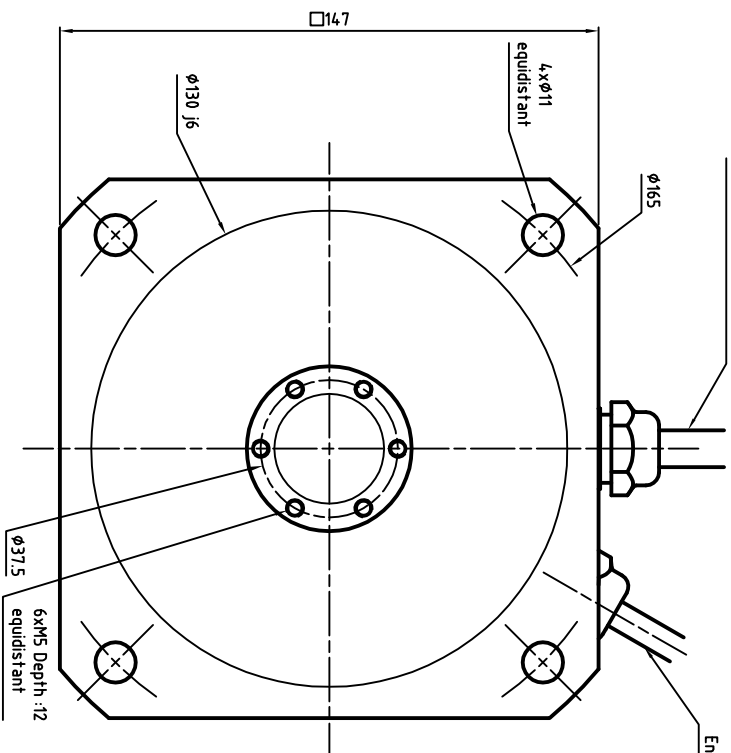


Power cable diameter and section depends on rated current

U : Phase 1  
V : Phase 2  
W : Phase 3

Green/Yellow : Ground



ENCODER SIGNAL COLORS

| Wires colors | ERN180  | ECN113  |
|--------------|---------|---------|
| White        | 0V      | Up      |
| Brown        | Up      | 0V      |
| Green        | A+      | A+      |
| Yellow       | A-      | A-      |
| Pink         | B-      | B-      |
| Grey         | B+      | B+      |
| Blue         | R+      | DATA+   |
| Red          | R-      | DATA-   |
| Black        | Thermal | CLOCK+  |
| Violet       | Thermal | CLOCK-  |
| Grey/Pink    | N/A     | Thermal |
| Red/Blue     | N/A     | Thermal |

**ALXION**

AUTOMATIQUE & PRODUCTIQUE  
Parc Technologique des Fossés Jean  
92712 COLOMBES Cedex  
Tél: 014306304 - Fax: 014306136

145ST1M22[2-7]XXXXXX