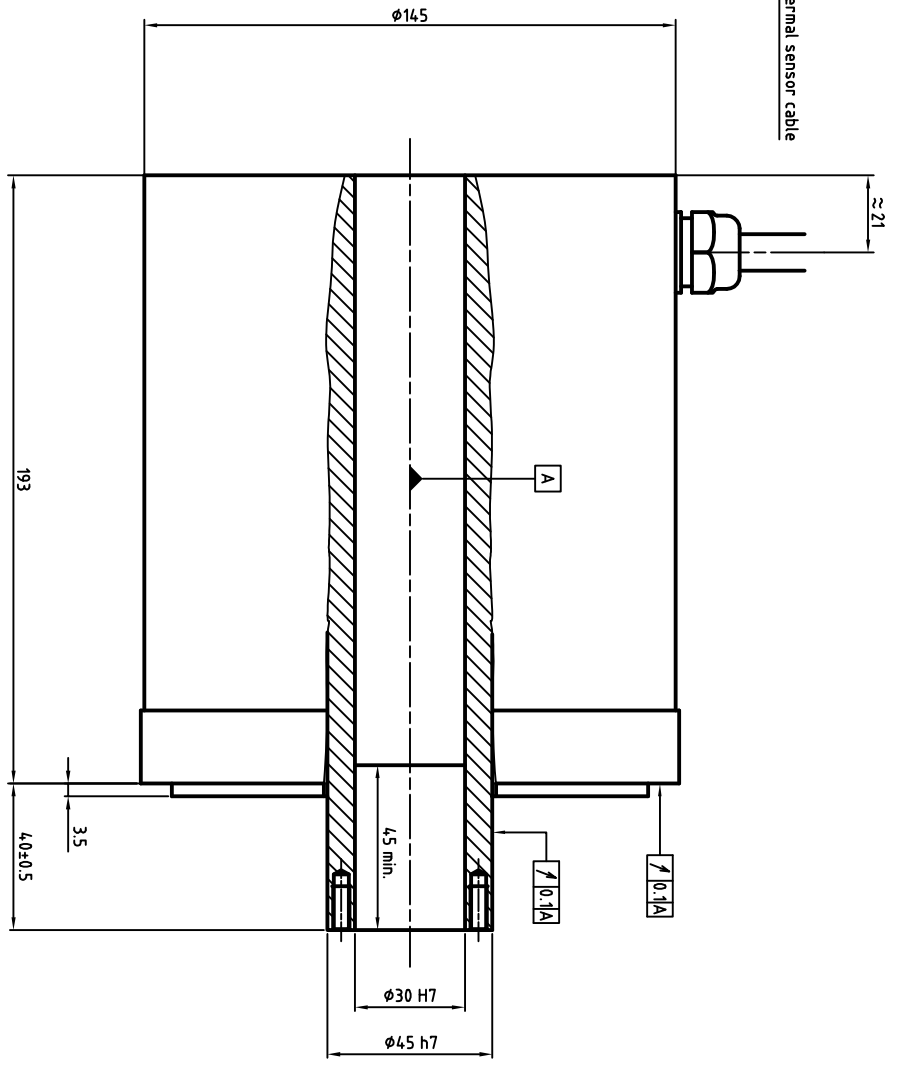
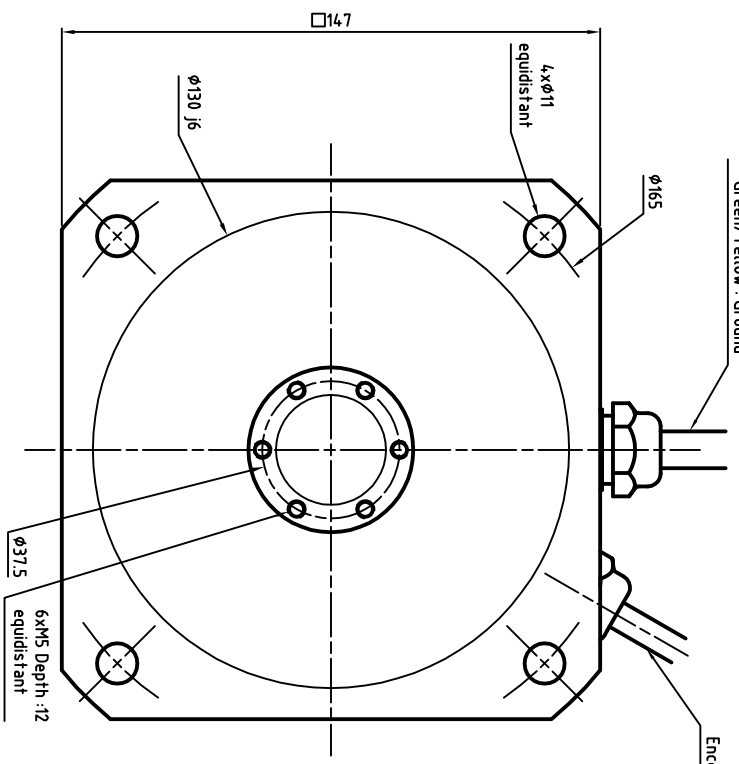


Power cable diameter and section depends on rated current

- U : Phase 1
- V : Phase 2
- W : Phase 3
- Green/Yellow : Ground



ENCODER SIGNAL COLORS

Wires colors	ERN180	ECN113
White	0V	Up
Brown	Up	0V
Green	A+	A+
Yellow	A-	A-
Pink	B-	B-
Grey	B+	B+
Blue	R+	DATA+
Red	R-	DATA-
Black	Thermal	CLOCK+
Violet	Thermal	CLOCK-
Grey/Pink	N/A	Thermal
Red/Blue	N/A	Thermal

ALXION

AUTOMATIQUE & PRODUCTIQUE
 Parc Technologique des Fossés Jean
 92712 COLOMBES Cedex
 Tél: 014306304 - Fax: 014306136

145ST2M22[2-7]XXXXXX