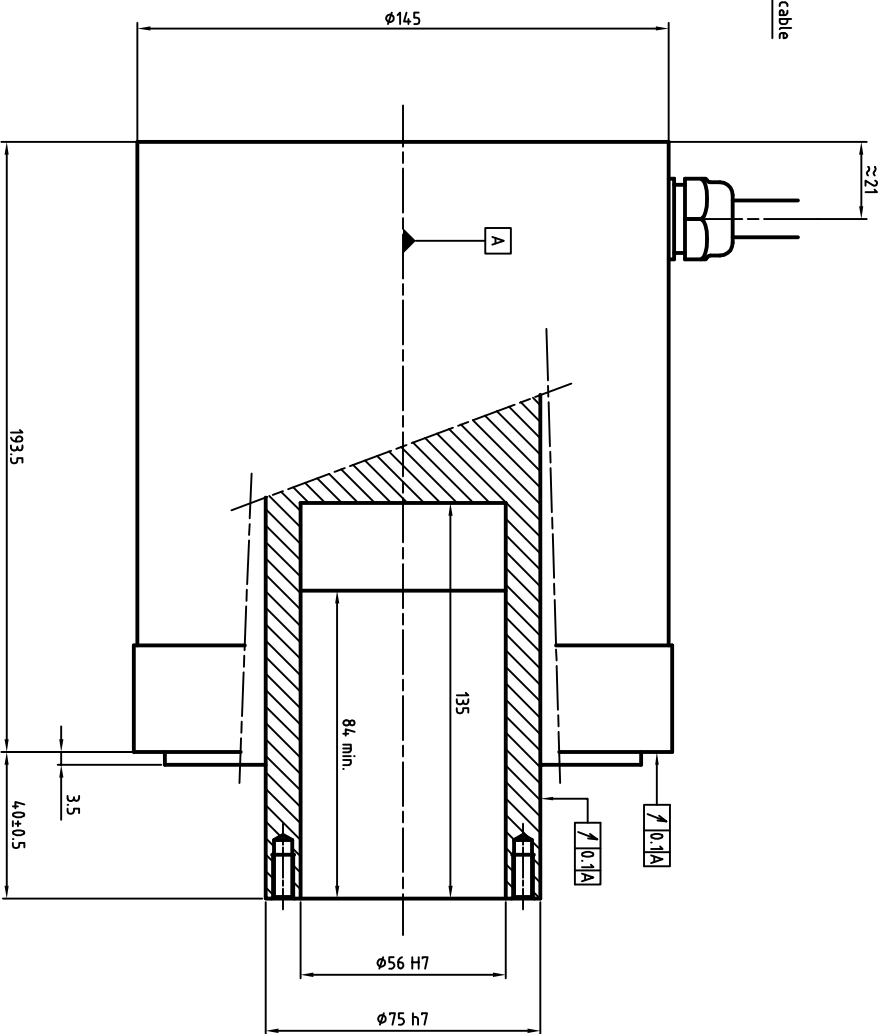
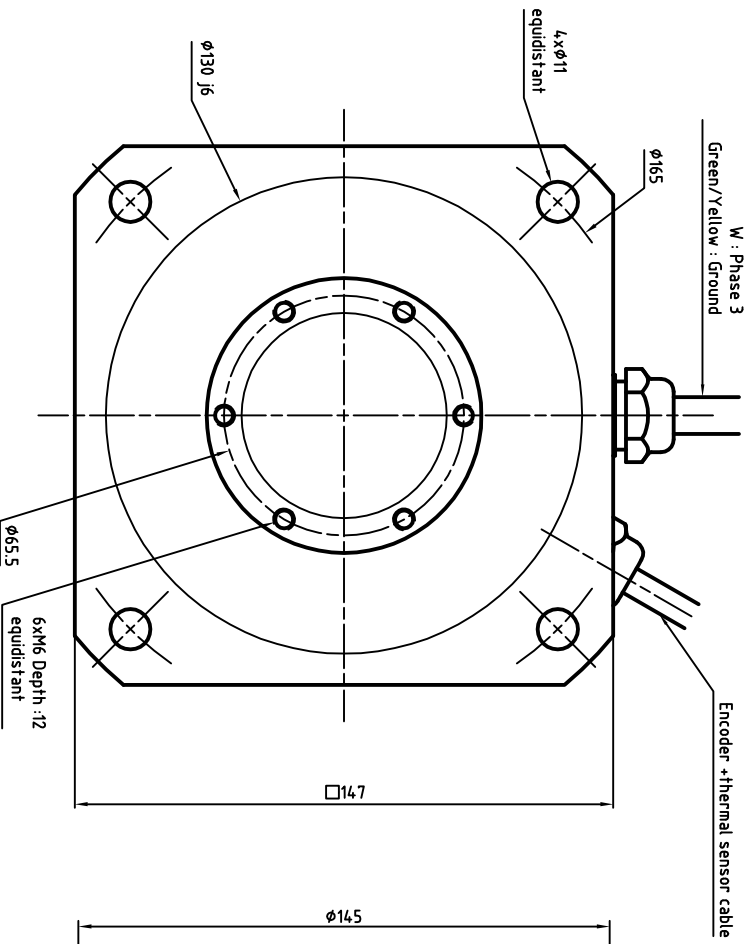


Power cable diameter and section depends on rated current
 U : Phase 1
 V : Phase 2
 W : Phase 3
 Green/Yellow : Ground



ENCODER SIGNAL COLORS

| Wires colors | ERN1387 | ERN1381 | ECN1313 | EON1325 |
|--------------|---------|---------|---------|---------|
| White | A+ | 0V | Up | Up |
| Brown | A- | Up | 0V | 0V |
| Green | R+ | A+ | A+ | A+ |
| Yellow | R- | A- | A- | A- |
| Pink | D+ | B- | B- | B- |
| Grey | D- | B+ | B+ | B+ |
| Blue | C+ | R+ | DATA+ | DATA+ |
| Red | C- | R- | DATA- | DATA- |
| Black | Thermal | Thermal | CLOCK+ | CLOCK+ |
| Violet | Thermal | Thermal | CLOCK- | CLOCK- |
| Grey/Pink | B+ | N/A | Thermal | Thermal |
| Red/Blue | B- | N/A | Thermal | Thermal |
| White/Green | 0V | N/A | N/A | N/A |
| Brown/Green | Up | N/A | N/A | N/A |

ALXION

AUTOMATIQUE & PRODUCTIQUE
 Parc Technologique des Fossés Jean
 92712 COLOMBES Cedex
 Tél: 0141306304 - Fax: 0141306136

145ST2M23[4-5-8-9]XXXXXX