

Cable output length 2m:

Power :

One shielded class 6 cable coded 1,2,3 green/yellow

Thermal sensors :

One shielded class 6 cable (2x2x0,25mm²)

Brown-White : PTC

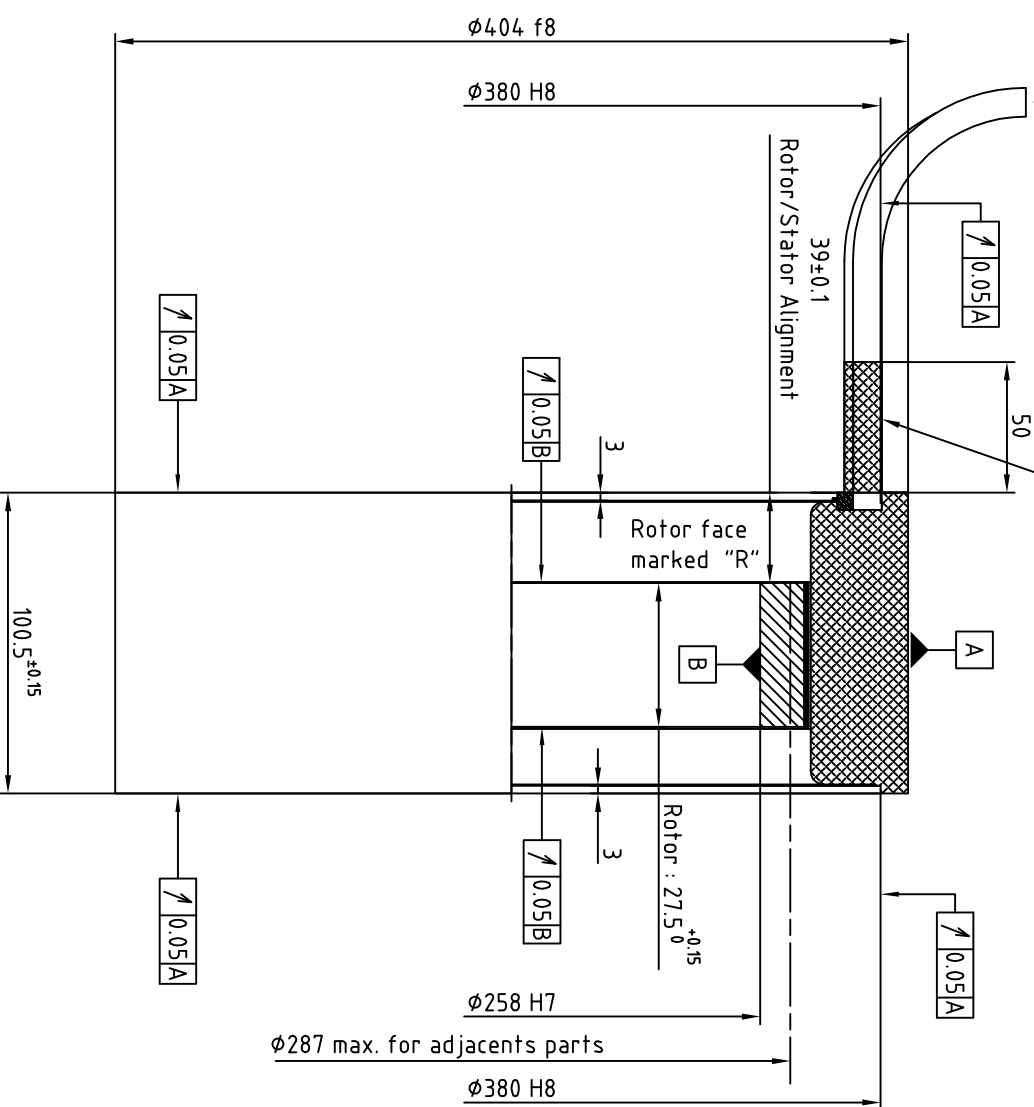
Green-Yellow : KTY84

Minimum bending radius (except for the first 50mm) :

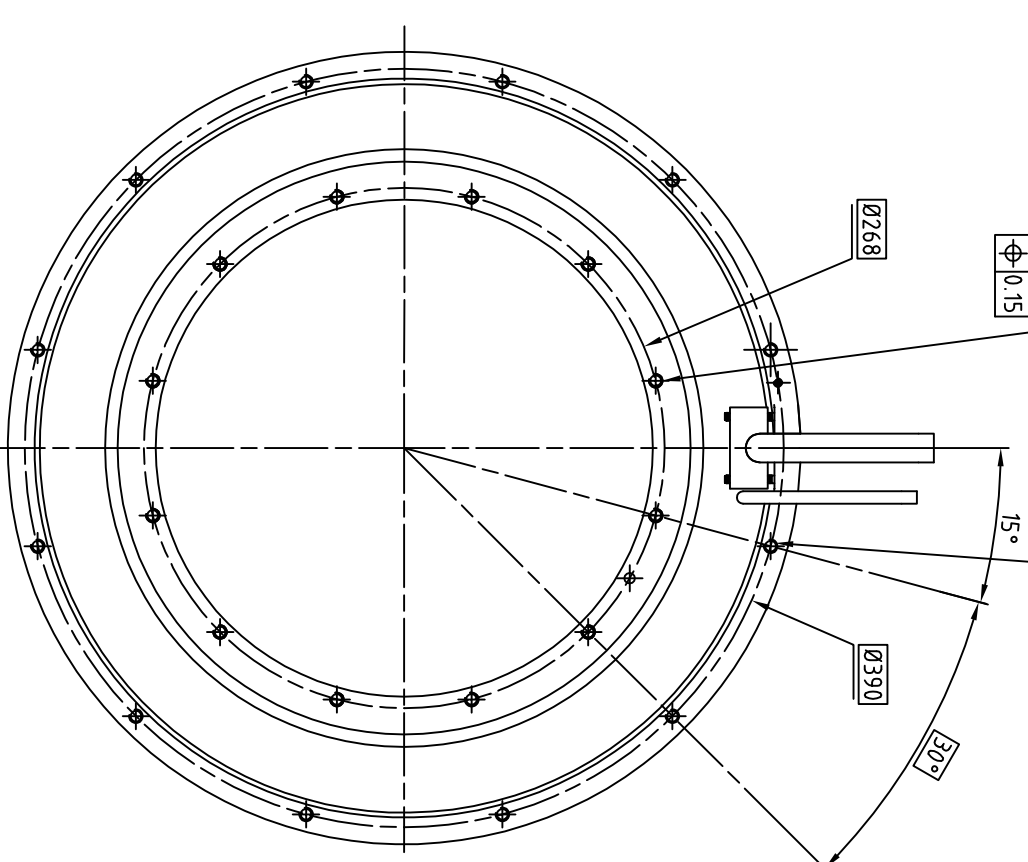
See table

Cable	Ø	R min.
2x2x0,25	7	84
4x1,5	10,2	120
4x2,5	11,4	135
4x4	13,1	155
4x6	15,9	190
4x10	18,8	225

ZONE FREE OF ANY PART
(cable passing)
NO STRESS, NO BENDING, IN THIS AREA



2 series of 12 equidistant holes M6
One serie on each rotor face
Angularly aligned series



2 series of 12 equidistant holes M6
One serie on each stator face
Angularly aligned series

- Nota:
- This drawing is valid only for motors with nominal current lower than 72 Amps.
 - If the nominal current is greater than 72 Amps, please contact us.
 - Rotor is not fitted in the stator
- For more information about mounting see document 400STK0-WA002

ALXION

AUTOMATIQUE & PRODUCTIQUE
Parc Technologique des Fossés Jean
92712 COLOMBES Cedex
Tél: 0141306304 - Fax: 0141306136

400STK1M1XXXXXX