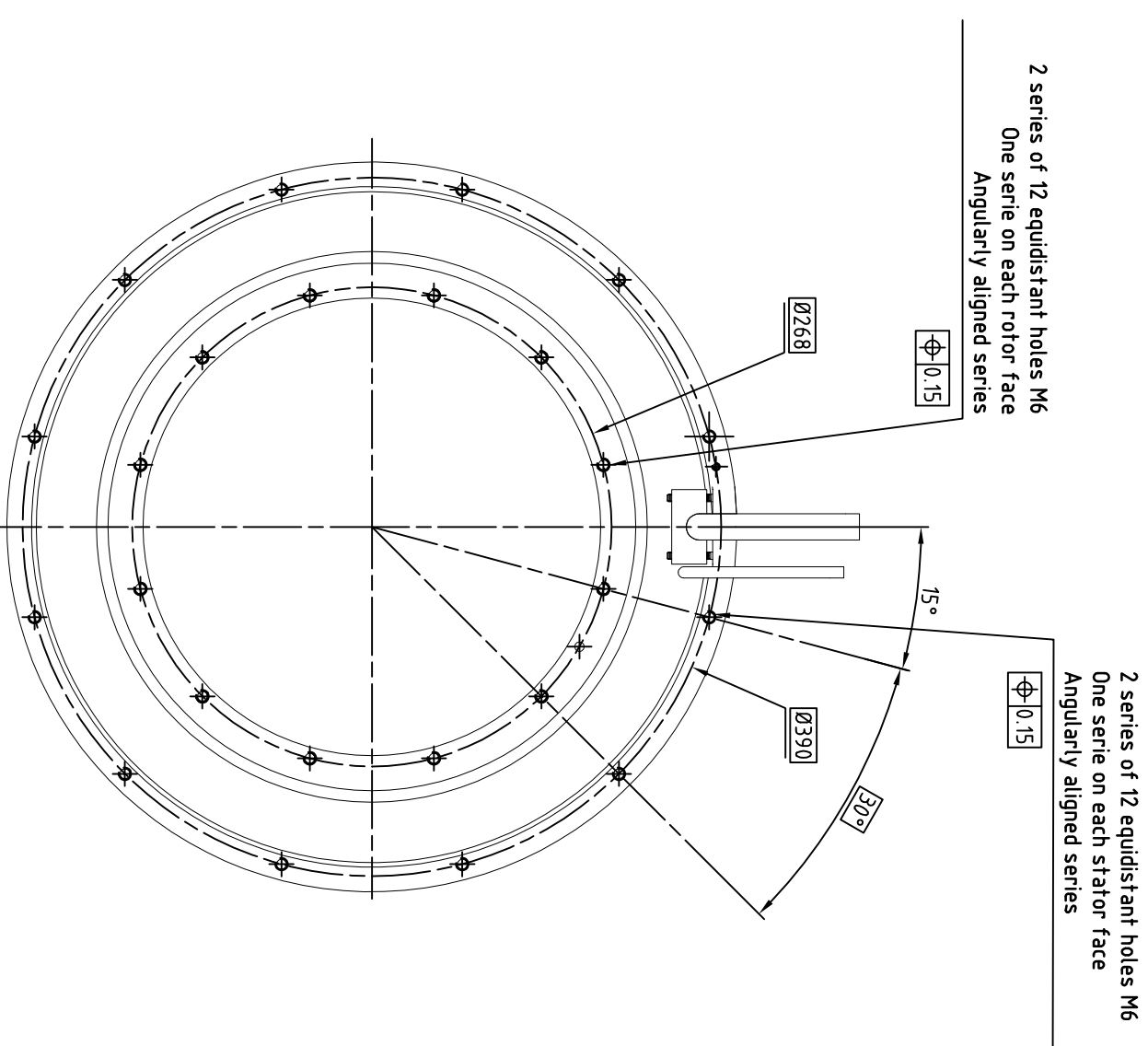
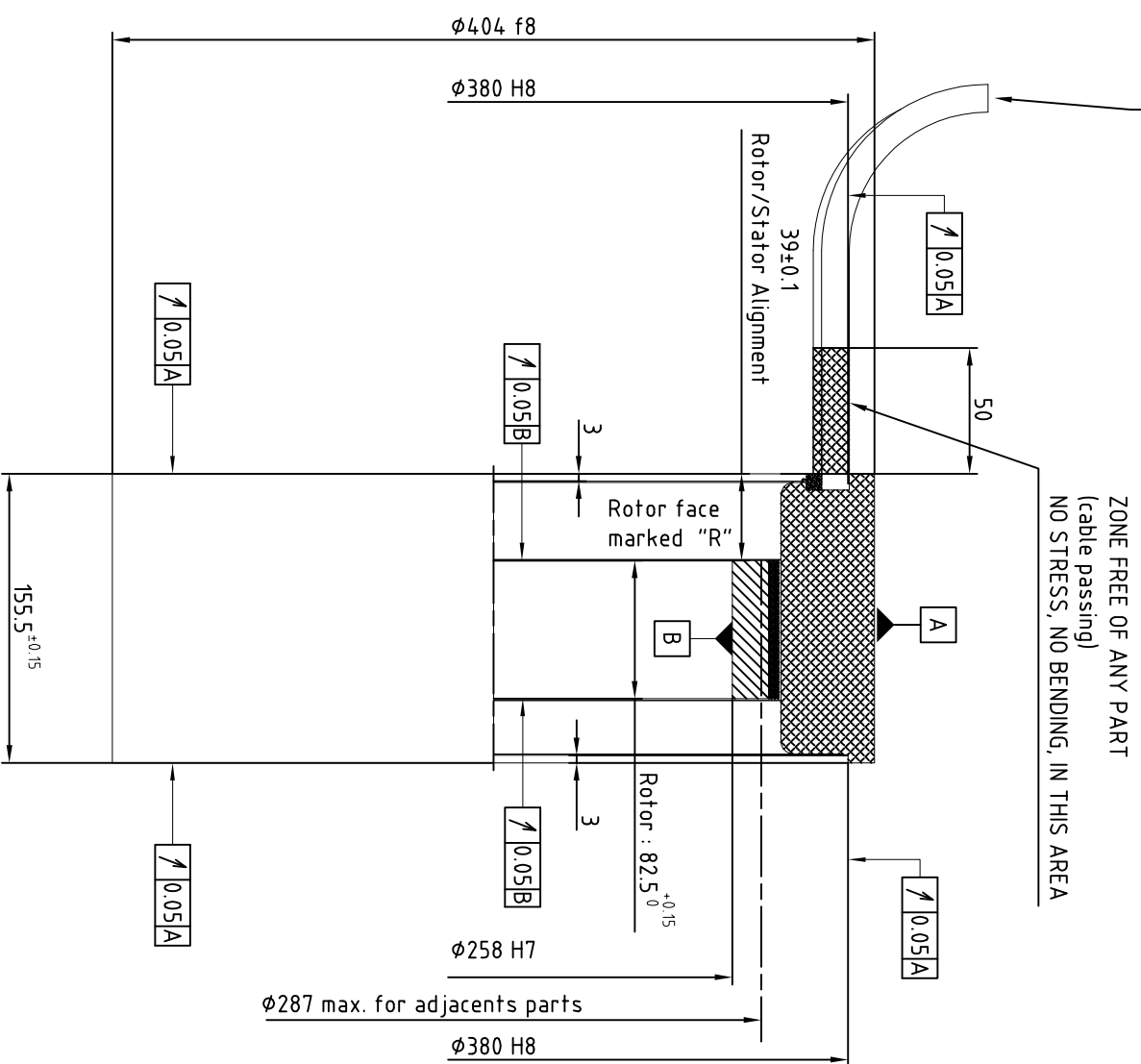


Cable output length 2m:
Power :
 One shielded class 6 cable coded 1,2,3 green/yellow
Thermal sensors :
 One shielded class 6 cable (2x2x0,25mm²)
 Brown-White : PTC
 Green -Yellow : KTY84
 Minimum bending radius (except for the first 50mm) :
 See table

Cable	Ø	R min.
2x2x0,25	7	84
4x1,5	10,2	120
4x2,5	11,4	135
4x4	13,1	155
4x6	15,9	190
4x10	18,8	225



Nota:

This drawing is valid only for motors with nominal current lower than 72 Amps.
 If the nominal current is greater than 72 Amps, please contact us.

ALXION

AUTOMATIQUE & PRODUCTIVE
 Parc Technologique des Fossés Jean
 92712 COLOMBEES Cedex
 Tél: 0141306304 - Fax: 0141306136

400S TK 3M1XXXXXX