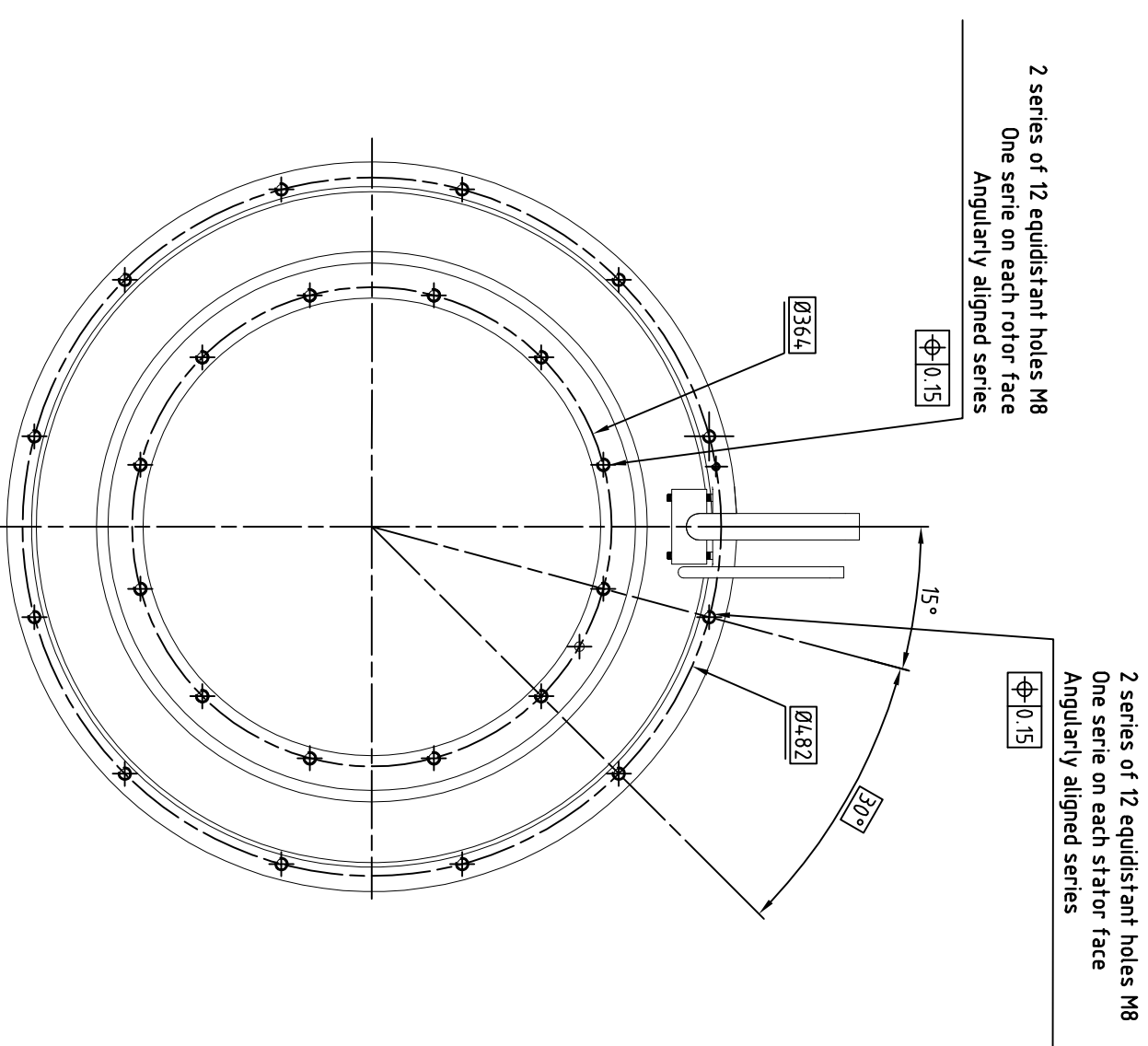
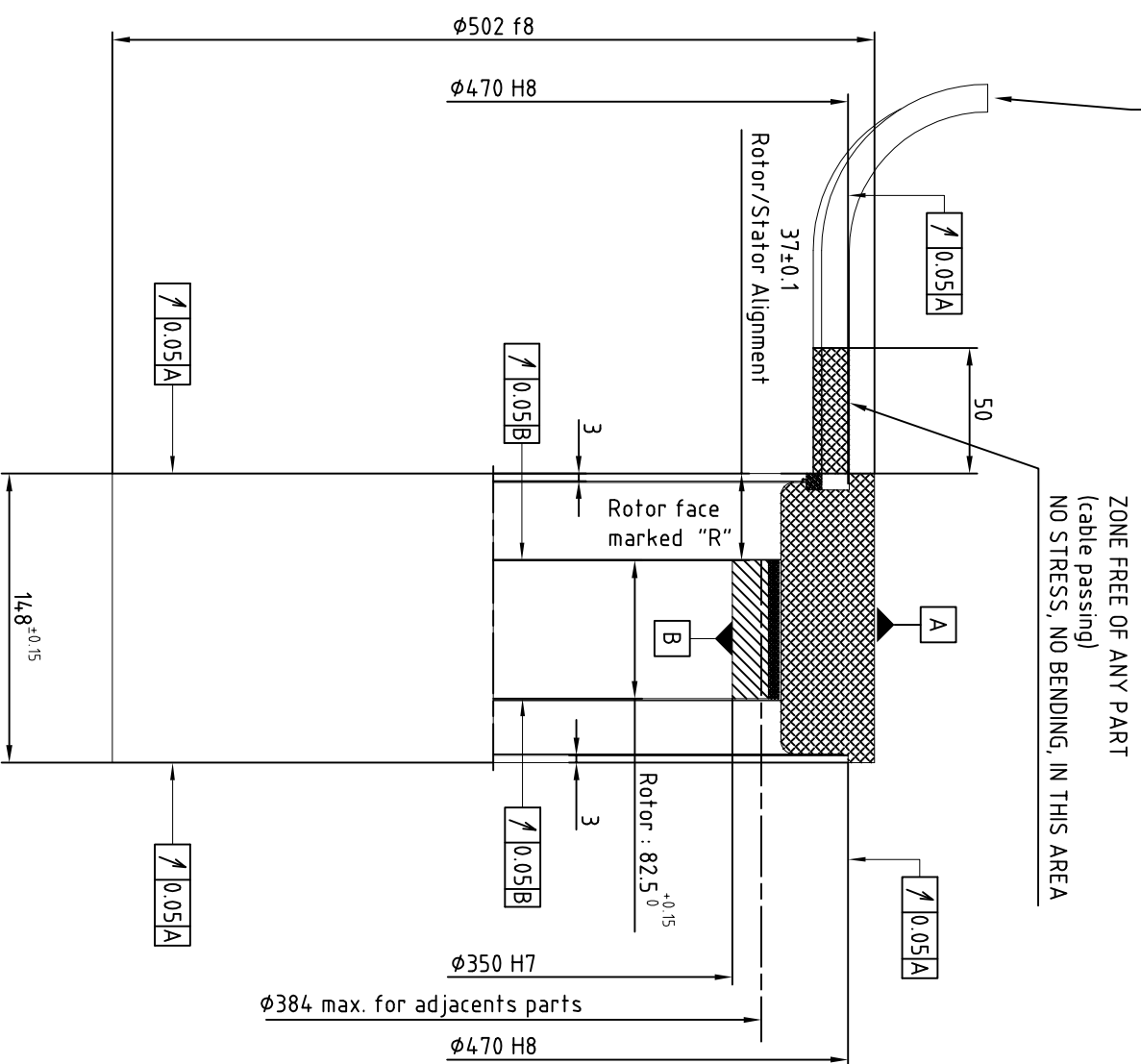


Cable output length 2m:  
**Power :**  
 One shielded class 6 cable coded 1,2,3 green/yellow  
**Thermal sensors :**  
 One shielded class 6 cable (2x2x0.25mm<sup>2</sup>)  
 Brown-White : PTC  
 Green-Yellow : KTY84  
 Minimum bending radius (except for the first 50mm) :  
 See table

Cable	Ø	R min.
2x2x0.25	7	84
4x1.5	10.2	120
4x2.5	11.4	135
4x4	13.1	155
4x6	15.9	190
4x10	18.8	225



**Nota:**

This drawing is valid only for motors with nominal current lower than 72 Amps.  
 If the nominal current is greater than 72 Amps, please contact us.

**ALXION**

AUTOMATIQUE & PRODUCTIQUE  
 Parc Technologique des Fossés Jean  
 92712 COLOMBEES Cedex  
 Tél: 0141306304 - Fax: 0141306136

500STK3M1XXXXXX