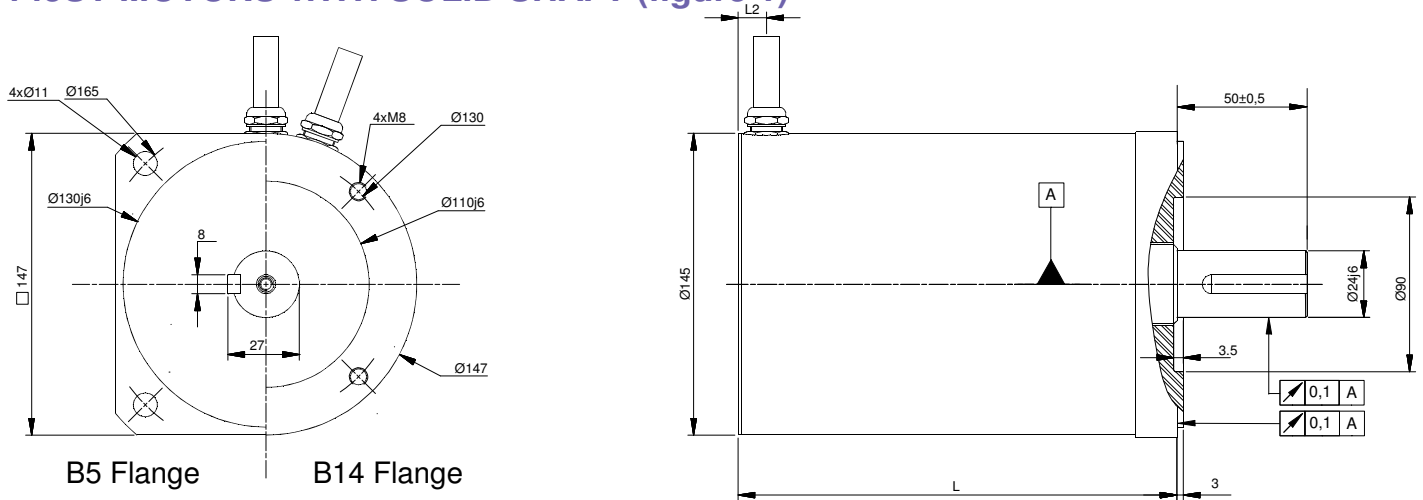


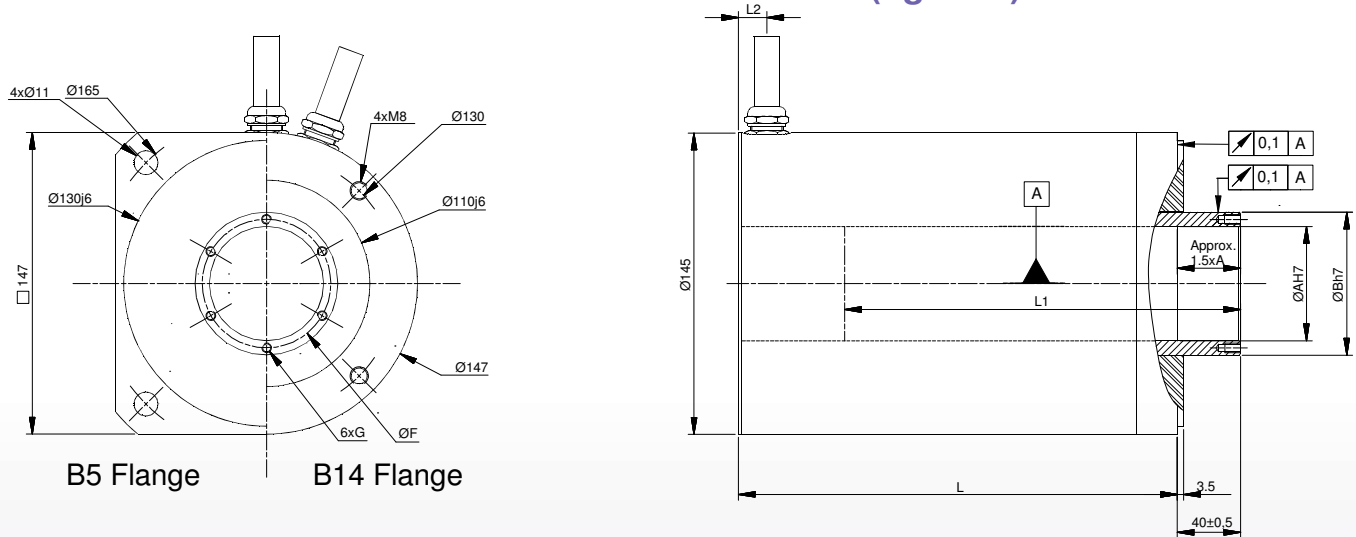
145ST MOTORS DIMENSIONS

145ST MOTORS WITH SOLID SHAFT (figure 1)



Keyway is optional, see codification for ST motors

145ST MOTORS WITH HOLLOW OR BLIND SHAFT (figure 2)



Power and signal are shielded cables length 2m

All dimensions are in mm

MOTOR	Solid shaft (fig 1)				Hollow shaft Ø30 (fig 2)		Blind shaft Ø56 (fig 2)				Hollow shaft Ø56 (fig 2)	Blind shaft Ø60 (fig 2)	Hollow shaft Ø60 (fig 2)	
	L				G=M5 F=37.5 A=30 B=45		G=M6 F=65.5 A=56 B=75				G=M6 F=65.5 A=56 B=75	No threads A=60 B=75	No threads A=60 B=75	
	L2=66		L2=21		L		L			L1	L	Same length dimensions as Ø56 blind shaft motor	Same length dimensions as Ø56 hollow shaft motor	
Position Feedback (Page 16)	1	3	4 5 8 9	6	1	3	2	7	L		ALL			1
145ST1M	168.50	140.00	150.00	132.00	Same length dimensions as solid shaft motor	166.00	185.00	156.50	166.50	148.50	108.00	185.00		
145ST2M	195.50	167.00	177.00	159.00		193.00	212.00	183.50	193.50	175.50	135.00	212.00		
145ST3M	222.50	194.00	204.00	186.00		220.00	239.00	210.50	220.50	202.50	162.00	239.00		
145ST4M	249.50	221.00	231.00	213.00		247.00	266.00	237.50	247.50	229.50	189.00	266.00		
145ST5M	276.50	248.00	258.00	240.00		274.00	293.00	264.50	274.50	256.50	216.00	293.00		
145ST6M	303.50	275.00	285.00	267.00		301.00	320.00	291.50	301.50	283.50	243.00	320.00		
145ST7M	330.50	302.00	312.00	294.00		328.00	347.00	318.50	328.50	310.50	270.00	347.00		
145ST8M	357.50	329.00	339.00	321.00		355.00	374.00	345.50	355.50	337.50	297.00	374.00		

Note: ALXION keeps the right to modify all data without prior notice