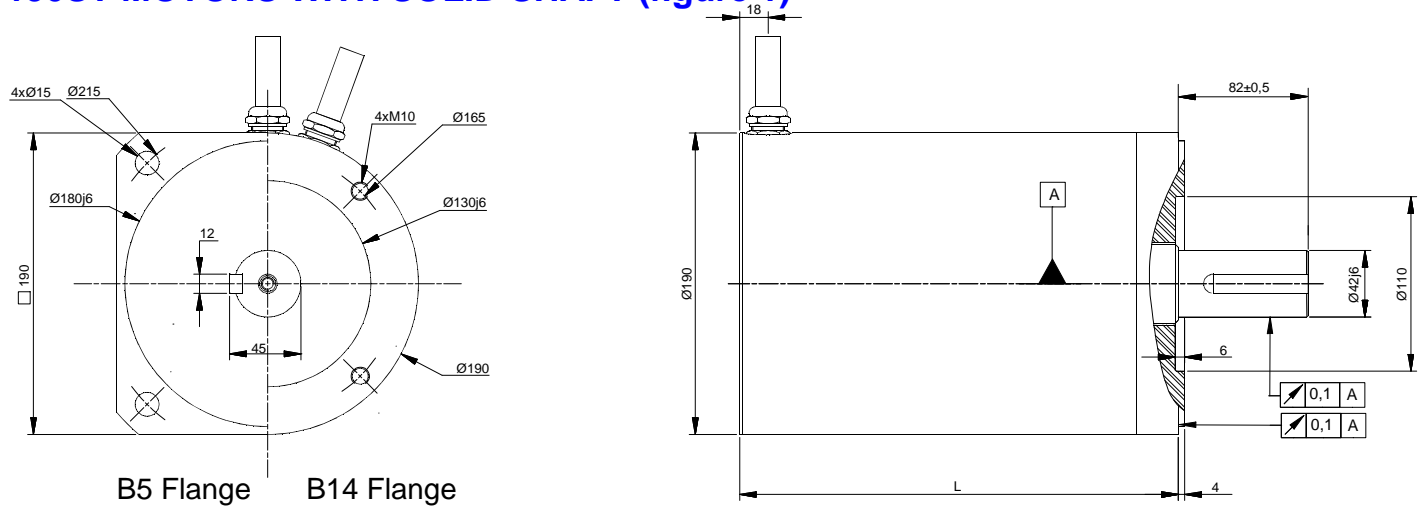


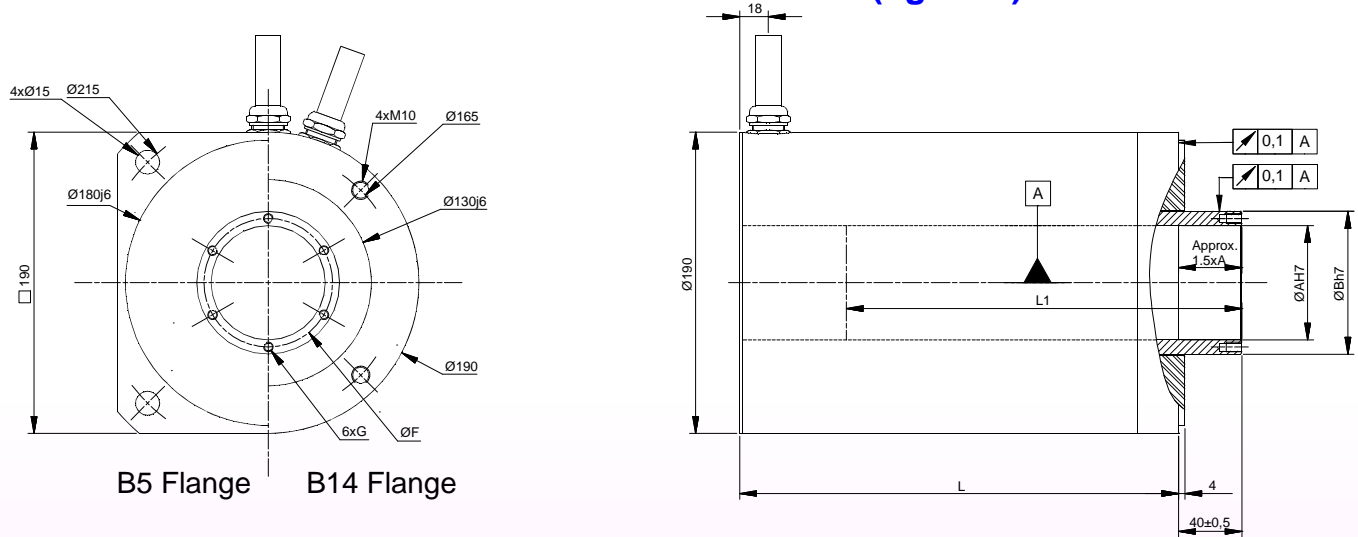
190ST MOTORS DIMENSIONS

190ST MOTORS WITH SOLID SHAFT (figure 1)



Keyway is optional, see codification for ST motors

190ST MOTORS WITH HOLLOW OR BLIND SHAFT (figure 2)



Power and signal are shielded cables length 2m

MOTOR	Solid shaft (fig 1)		Hollow shaft Ø40 (fig 2)		Blind shaft Ø72 (fig 2)			Hollow shaft Ø72 (fig 2)	Blind shaft Ø75 (fig 2)	Hollow shaft Ø75 (fig 2)
	L		G=M5 F=47.5 A=40 B=55		G=M6 F=81 A=72 B=90		G=M6 F=81 A=72 B=90	L	No threads A=75 B=90	No threads A=75 B=90
Position Feedback (Page 10)	1 3 6	4 5 8 9	1 3	2 7	1 3 6	4 5 8 9	ALL	1	Same length dimensions as Ø72 blind shaft motor	Same length dimensions as Ø72 hollow shaft motor
190ST1M	167.75	178.75	167.75	205.75	175.25	186.25	116.25	198.75		
190ST2M	204.00	215.00	204.00	242.00	211.50	222.50	152.50	235.00		
190ST3M	240.25	251.25	240.25	278.25	247.75	258.75	188.75	271.25		
190ST4M	276.50	287.50	276.50	314.50	284.00	295.00	225.00	307.50		
190ST5M	312.75	323.75	312.75	350.75	320.25	331.25	261.25	343.75		
190ST6M	349.00	360.00	349.00	387.00	356.50	367.50	297.50	380.00		
190ST7M	385.25	396.25	385.25	423.25	392.75	403.75	333.75	416.25		
190ST8M	421.50	432.50	421.50	459.50	429.00	440.00	370.00	452.50		

Note: ALXION keeps the right to modify all data without prior notice