

DIRECT DRIVE ROTARY TABLES

Technical characteristics

Specifications

		190RT1M	190RT2M
Rated speed	Rpm	600	600
Peak torque	(1)(2) N.m	53	106
Current at peak torque	(1) A	12.4	21.5
Total inertia	10 ⁻³ kg.m ²	30	32
Weight	kg	25	27
Phase resistance at 20°C	(1) Ω	5.16	2.27
Phase inductance at I continuous	mH	34.2	22.7
Electrical time constant	(1) ms	6.6	10.0
Power cable square section	n x mm ²		
Power cable diameter	mm		

Protection level	IP 54
Minimum Temperature	-40°C (Storage) -20°C (Working)
Thermal sensor	PTC & KTY 84
Insulation class	H
Encoder	SICK-STEGMANN SCS KIT 101 HIPERFACE
Hollow shaft	Inner diameter Ø30
Power cable :	Encoder & Thermal sensors cable :
- shielded	- shielded
- external insulation : PUR	- external insulation : PUR
- wires insulation : PVC TPE	- wires insulation : PVC TPE

COMPLEMENTARY DATA FOR
FLUID-COOLED MOTORS WINDING
AT 60°C

Continuous torque	(3) N.m	27	55
Current at continuous torque	A	6.6	10.4
Housing temperature	°C	30	27
Fluid input temperature	(4)(5) °C	20	20
Fluid temperature rise	°C	4	5
Fluid flow	l / mn	3	3
Losses	W	660	890
Pressure	bar	0.1	0.1
Power cable square section	n x mm ²	4x1,5	4x1,5
Power cable diameter	mm	Ø10,2	Ø10,2

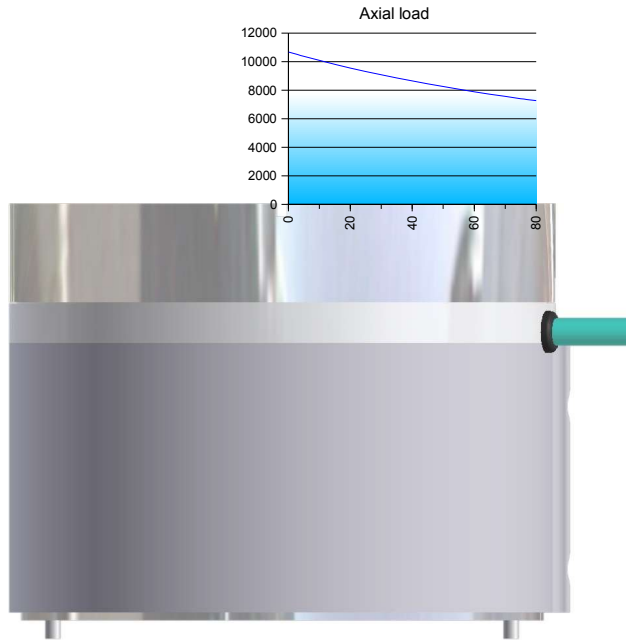
COMPLEMENTARY DATA FOR
FLUID-COOLED MOTORS WINDING
AT 140 °C

Continuous torque	(3) N.m	35	70
Current at continuous torque	A	8.6	14.9
Housing temperature	°C	28	32
Fluid input temperature	(4)(5) °C	20	20
Fluid temperature rise	°C	5	10
Fluid flow	l / mn	6	4
Losses	W	1,700	2,260
Pressure	bar	0.3	0.2
Power cable square section	mm ²	4x1,5	4x1,5
Power cable diameter	mm	Ø10,2	Ø10,2

- (1) Cold motor at 20°C
- (2) For 330V on motor leads :
Peak torque available up to 500 rpm
35 N.m available at 600 rpm for 190RT1M
70 N.m available at 600 rpm for 190RT2M
- (3) Torque at stall or low speed.
- (4) Fluid input temp should not be lower for avoiding condensation inside the motor.
- (5) .For cooling fluid, use softened glycol-added water or fluids approved for closed circuits.

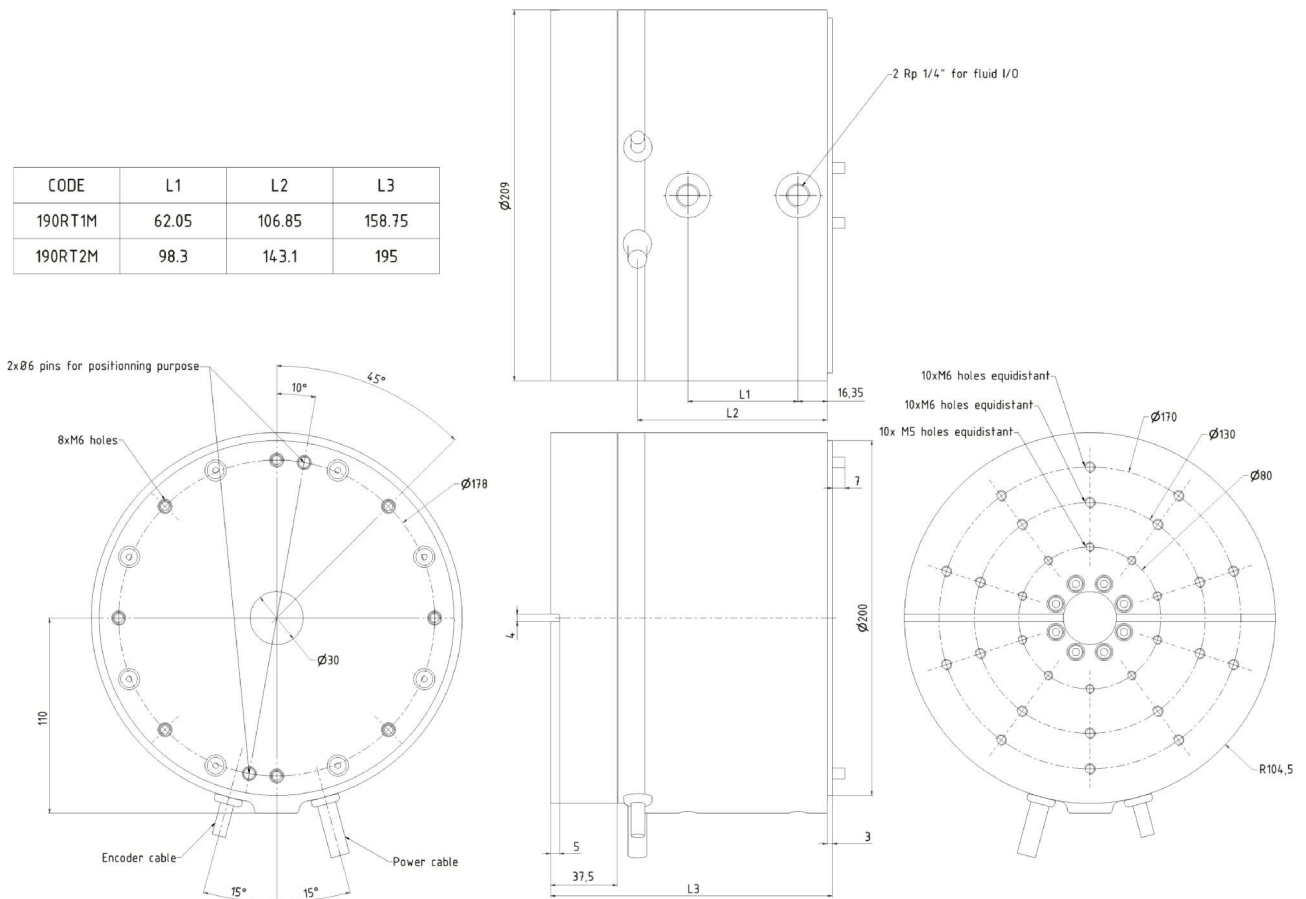
Maximum loads

Pure axial load continuous at a speed of 300rpm for a 40000h life time



for combined Radial and Axial load, please contact us

CODE	L1	L2	L3
190RT1M	62.05	106.85	158.75
190RT2M	98.3	143.1	195



Date	Indice	Modifications	Visa	Origine
02/06/04	A	Création du document	JMC	BE
06/12/04	B	Mise à jour	JMC	LB