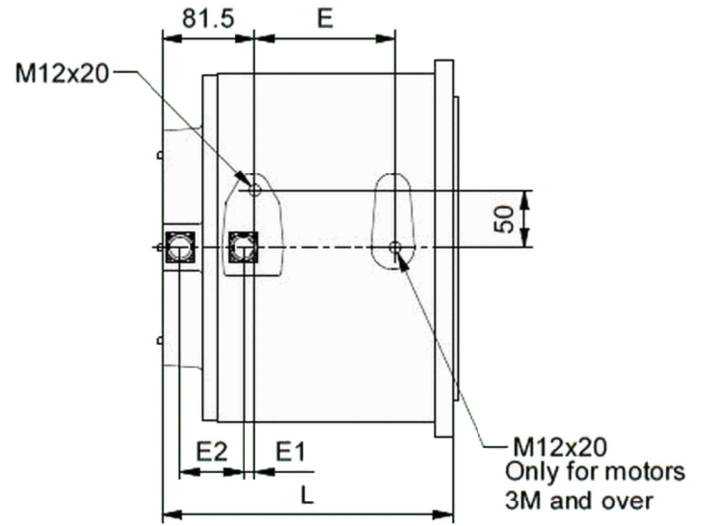
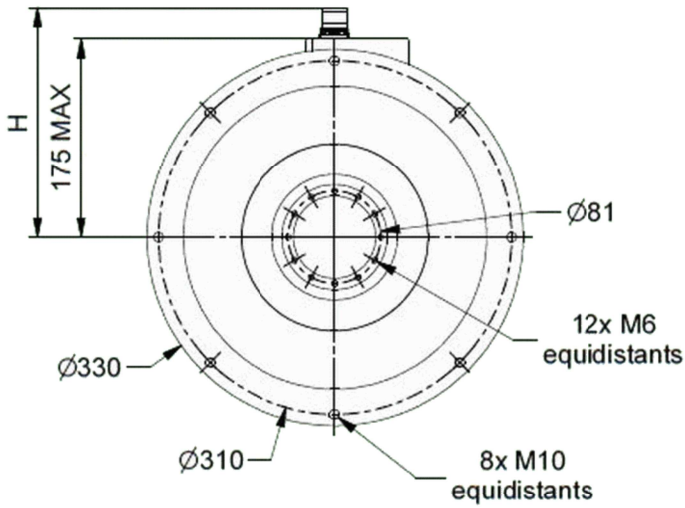
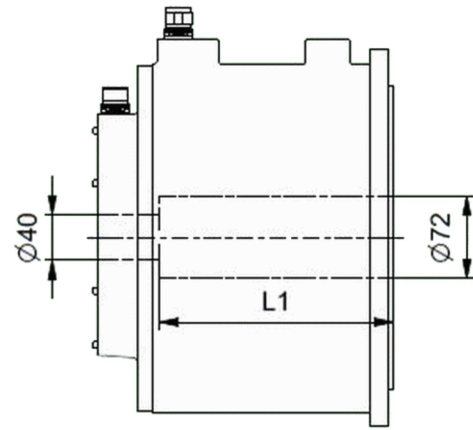
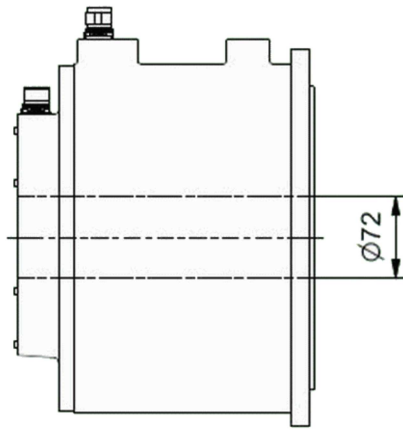


# 300ST MOTORS DIMENSIONS



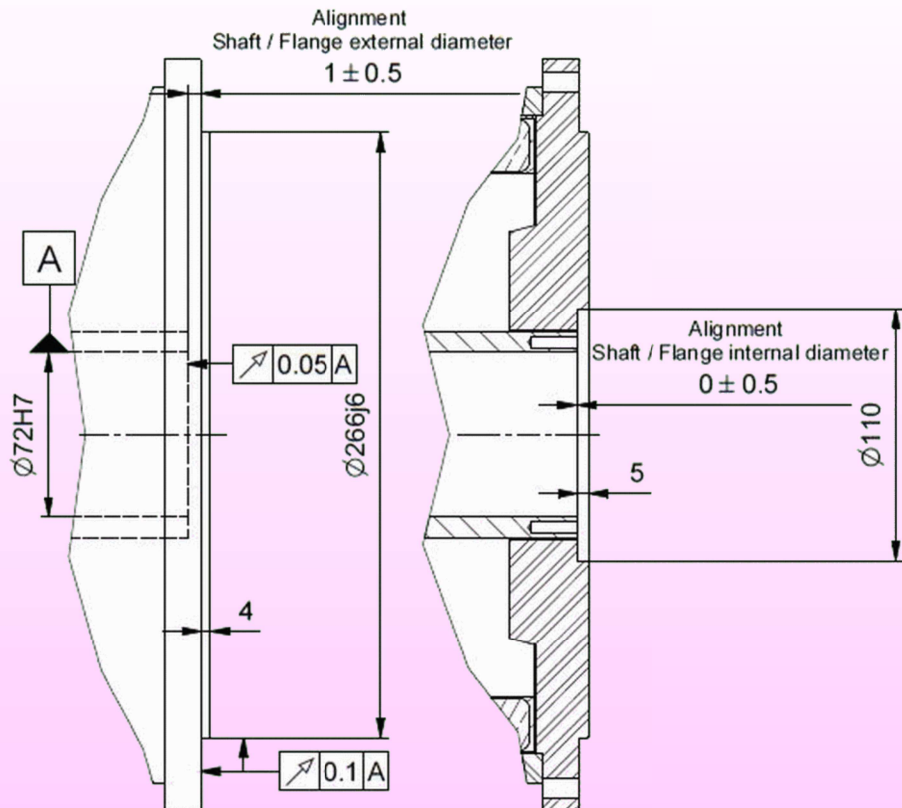
With position feedback 1, E or F  
(fig. 1)

With position feedback 2, 3, 7, A or B  
(fig. 2)



Current at continuous torque	H	E1	E2
< 25 A	202	10	55,5
> 25 A	217	2	63,5

## Front side of motors 300ST



MOTOR	Position feedback (page 10)				ALL
	1, E or F (fig. 1)	2, 7, A or B (fig. 2)	3 (fig. 2)		
Dimensions	L	L	L1	L	E
300ST1M	173.5	197.5	123	173.5	
300ST2M	201	225	150.5	201	
300ST3M	228.5	252.5	178	228.5	118
300ST4M	256	280	205.5	256	123
300ST5M	283.5	307.5	233	283.5	
300ST6M	311	335	260.5	311	

All dimensions are in mm

Note: ALXION keeps the right to modify all data without prior notice