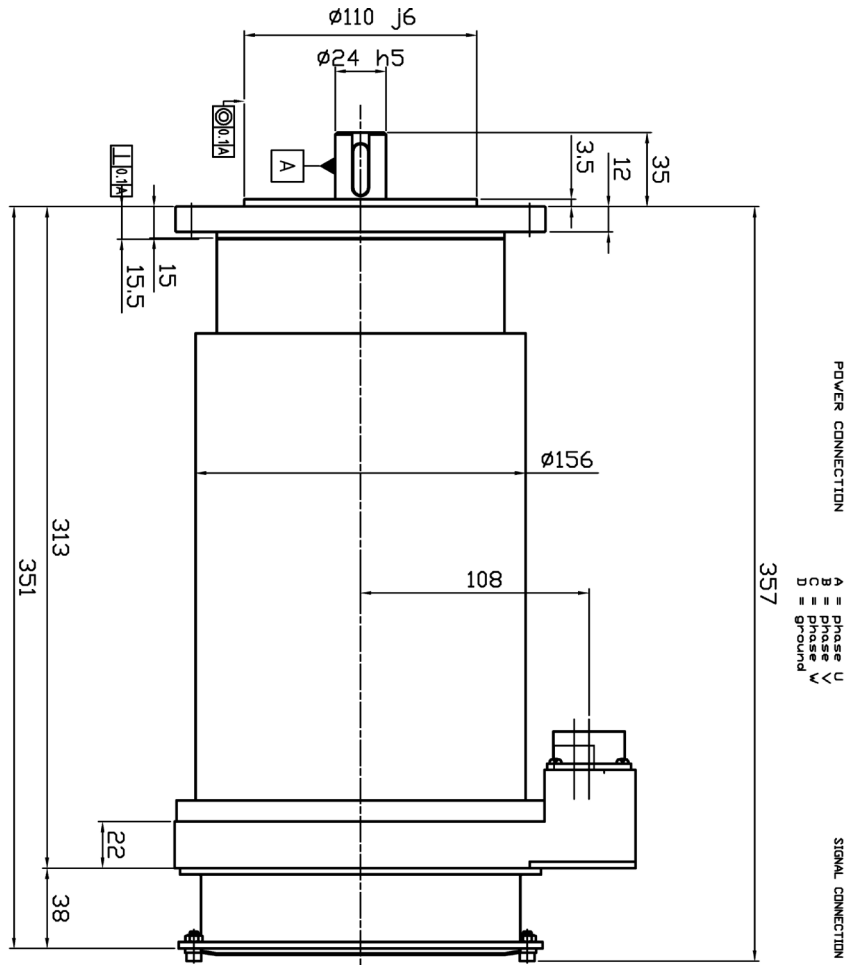


DIMENSIONS

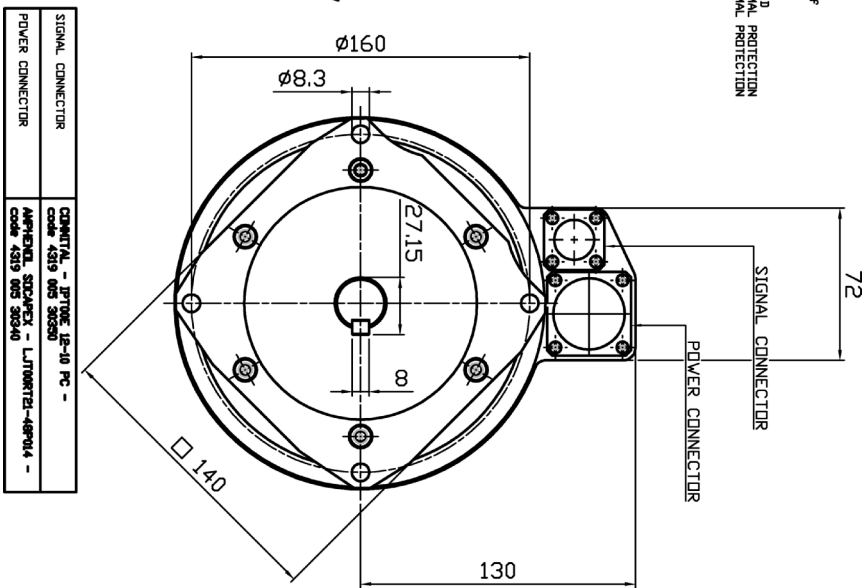
Motor 136 OEP 017



POWER CONNECTION
 A = Phase U
 B = Phase V
 C = Phase W
 D = Ground

SIGNAL CONNECTION

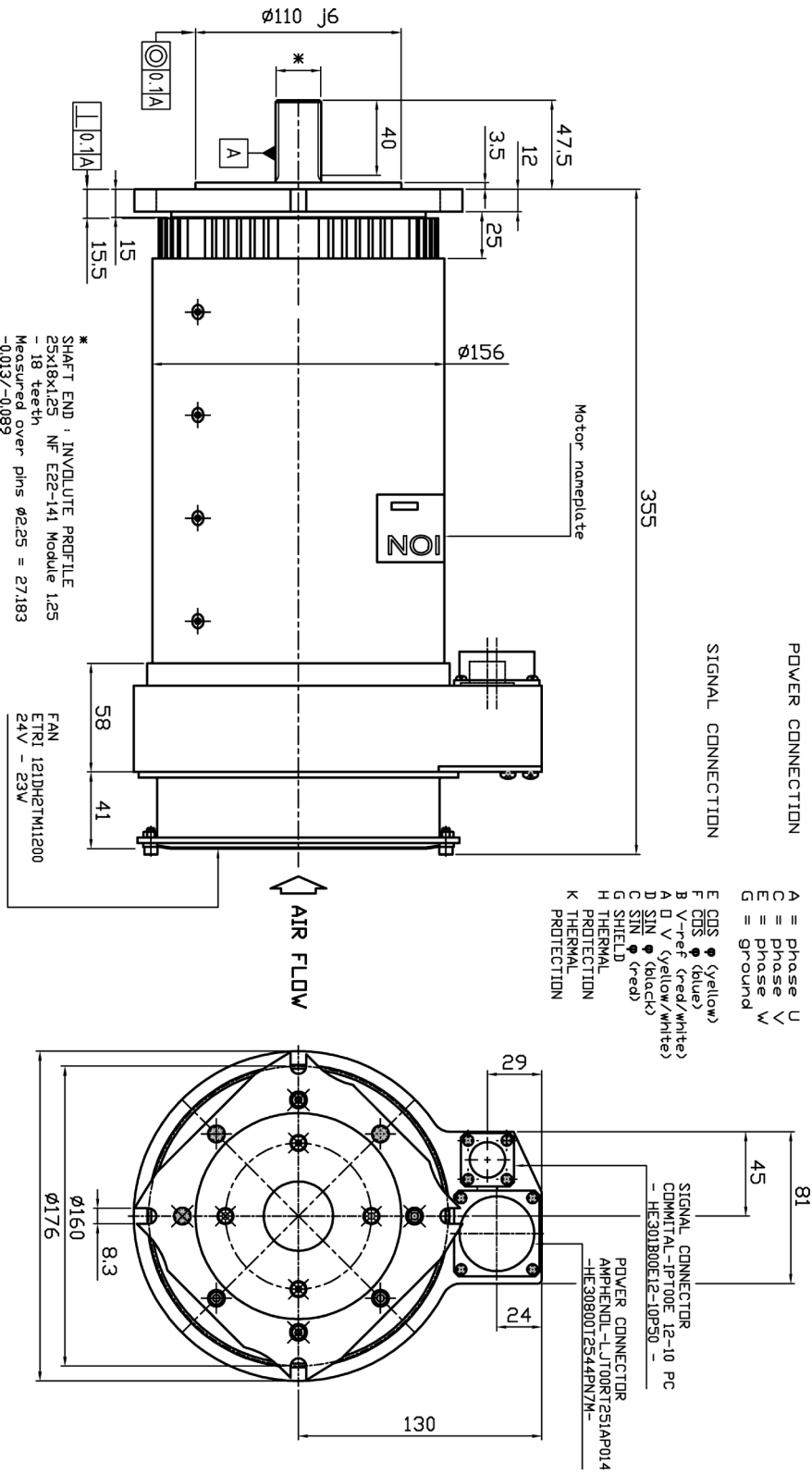
E = COS J
 F = COS J²
 A = D V²
 D = SIN J
 C = SIN J
 H = THERMAL PROTECTION
 K = THERMAL PROTECTION



SIGNAL CONNECTOR	COMITAL - ТИПЕ 12-10 PC - CODE 4319 003 30300
POWER CONNECTOR	APPEKHA, СДВАЕК - ЛИТВАКТЕ-48P14 - CODE 4319 003 30340

DIMENSIONS

Motor 136 OEP 020



DIMENSIONS

Motor 136 OEP 050

